



AREN

APPLICATION AREAS

Landscapes • Parks • Gardens • Walking Paths



AREN

LANDSCAPE LUMINAIRE

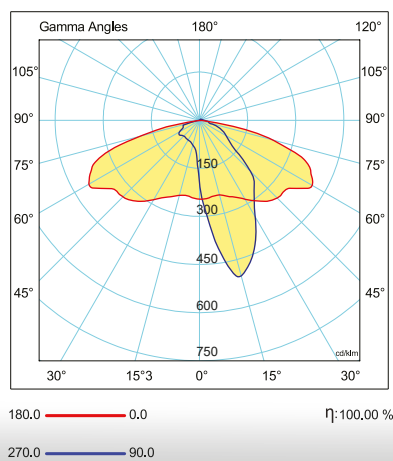


PRODUCT SPECIFICATIONS

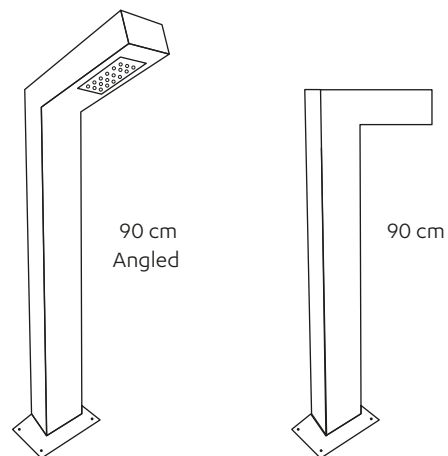
Body	: Aluminum Extrusion/DKP Steel Sheet/RAL7016
Optic Cover	: Asymmetric Acrylic Lens
LED Driver	: Osram-Tridonic-Philips-3N
Led Chip	: Samsung, Osram, Seoul
Input Voltage	: 220-240V/AC 50-60Hz
Temperature Range	: -20°C~+40°C
CRI	: CRI > 80
IP Class	: IP65
Options	: Color Temperature : 3000K/4000K/6500K Emergency Kit



PHOTOMETRIC DISTRIBUTION



TECHNICAL DRAWING



PRODUCT SPECIFICATIONS

Item Code	Power (W)	Luminaire Lumen (lm)	Color Temperature (K)	Efficiency (lm/W)	Dimensions (LxWxH)	Qty/Carton	Carton Size (LxWxH)	G.W/Carton
LPC30.16	16W	1.600	3000/4000/6500	100lm/W	90 cm	1	1300x280x290mm	5.5 kg
LPC30.16	16W	1.600	3000/4000/6500	100lm/W	90 cm Angled	1	1300x280x290mm	5.5 kg

*3N Company has the right to make any changes it deems necessary without prior notice.
*Technical data has a tolerance of ±10%.