



RECESSED MOUNTED SPOT LIGHT

AREAS OF APPLICATION

Housing • Offices • Shops • Markets • Cafes • Restaurants • Hospitals • Training Halls
It can be used in areas requiring long life and high illumination.



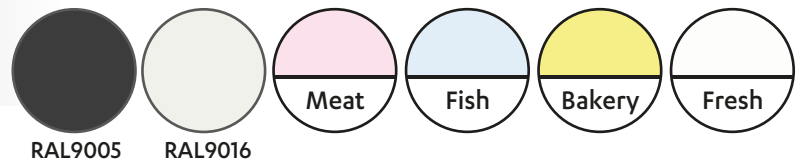
ASYA-185-F FOOD SECTION

RECESSED MOUNTED SPOT LIGHT

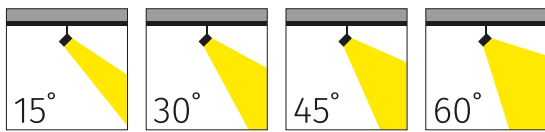


PRODUCT SPECIFICATIONS

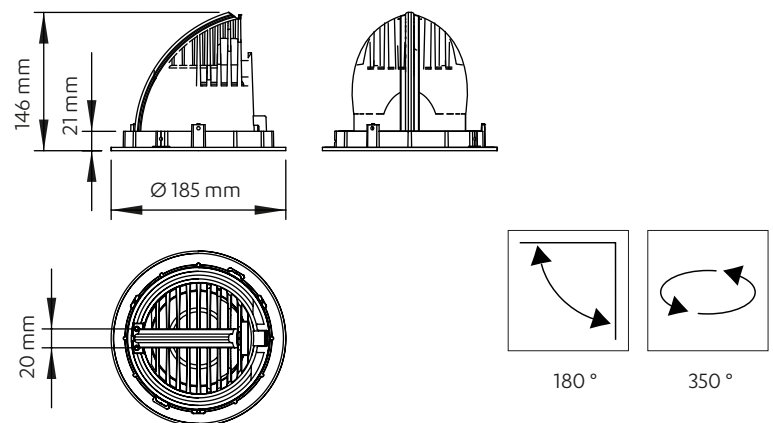
Body	: Alu Body/RAL9005
Optic Cover	: Alu Reflector
Led Driver	: Osram-Tridonic-Philips
Led Chip	: Samsung, Osram, COB
Input Voltage	: 220-240V/AC 50-60Hz
Operating Temperature	: -10°C~+40°C
CRI	: CRI > 80, 90
IP Class	: IP20
Options	: Body Color Options : RAL9016 Application Options : Recessed Mounted Color Temperature : 2700K/3000K/4000K/6500K DALI



PHOTOMETRIC DISTRIBUTION



TECHNICAL DRAWING



PRODUCT SPECIFICATIONS

Item Code	Power (W)	Luminaire Lumen (lm)	Color Temperature (K)	Efficiency (lm/W)	Dimensions (LxWxH)	Qty/Carton	Carton Size (LxWxH)	G.W/Carton
LRS20.020	20W	-	Meat/Fish/Bakery/Fresh	-	185x185x146mm	18	290x500x580mm	16.29 kg
LRS20.030	30W	-	Meat/Fish/Bakery/Fresh	-	185x185x146mm	18	290x500x580mm	16.29 kg

*3N Company has the right to make any changes it deems necessary without prior notice.
*Technical data has a tolerance of ±10%.