



RECESSED MOUNTED SPOT LIGHT

AREAS OF APPLICATION

Housing • Offices • Shops • Markets • Cafes • Restaurant • Hospitals • Training Halls
It can be used in areas requiring long life and high illumination.



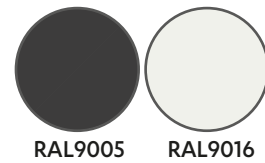
ASYA-88

RECESSED MOUNTED SPOT LIGHT

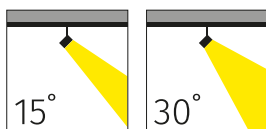


PRODUCT SPECIFICATIONS

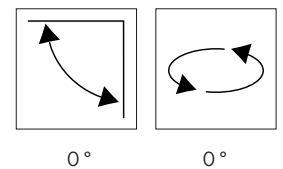
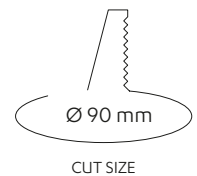
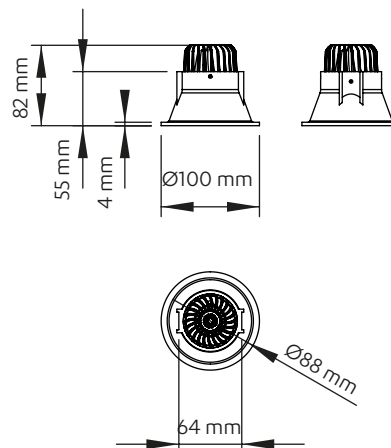
- Body** : Alu Body /RAL9005
- Optic Cover** : Alu Reflector
- Led Driver** : Osram-Tridonic-Philips
- Led Chip** : Samsung, Osram, COB
- Input Voltage** : 220-240V/AC 50-60Hz
- Operating Temperature** : -10°C~+40°C
- CRI** : CRI > 80, 90
- IP Class** : IP20
- Options** : Body Color Options : RAL9016
Application Options: Recessed Mounted
Color Temperature : 2700K/3000K/4000K/6500K
DALI



PHOTOMETRIC DISTRIBUTION



TECHNICAL DRAWING



PRODUCT SPECIFICATIONS

Item Code	Power (W)	Luminaire Lumen (lm)	Color Temperature (K)	Efficiency (lm/W)	Dimensions (LxWxH)	Qty/Carton	Carton Size (LxWxH)	G.W/Carton
LRS20.008	8W	704	2700/3000/4000/6500	88lm/W	100x100x82mm	64	400x500x460mm	21.44 kg
LRS20.010	10W	880	2700/3000/4000/6500	88lm/W	100x100x82mm	64	400x500x460mm	21.44 kg
LRS20.005-GU10	5W	460	2700/3000/4000/6500	92 lm/W	100x100x82mm	64	400x500x460mm	21.44 kg
LRS20.008-GU10	8W	680	2700/3000/4000/6500	85 lm/W	100x100x82mm	64	400x500x460mm	21.44 kg

*3N Company has the right to make any changes it deems necessary without prior notice.
*Technical data has a tolerance of ± 10%.