



TRACK LIGHTING

AREAS OF APPLICATION

Residences • Shops • Markets • Cafes • Restaurants • Offices
Designed to meet the demands of long-term use and high-lumen applications.



DORA-100

TRACK LIGHTING

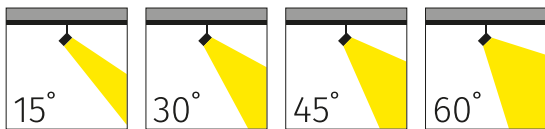


PRODUCT SPECIFICATIONS

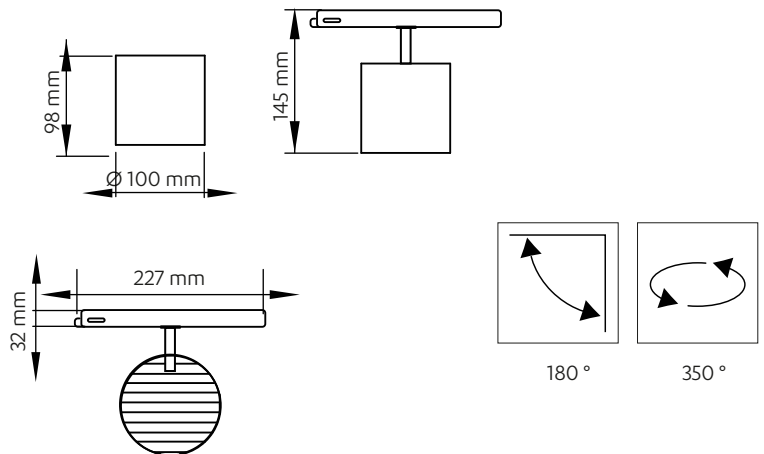
Body	: Alu Body/RAL9016
Optic Cover	: Alu Reflector
Led Driver	: Osram-Tridonic-Philips
Led Chip	: Samsung, Osram, COB
Input Voltage	: 220-240V/AC 50-60Hz
Operating Temperature	: -10°C~+40°C
CRI	: CRI > 80, 90
IP Class	: IP20
Options	: Body Color Options : RAL9005 Application Options : Track Rail Socket or Ceiling Rose Color Temperature : 2700K/3000K/4000K/6500K DALI



PHOTOMETRIC DISTRIBUTION



TECHNICAL DRAWING



PRODUCT SPECIFICATIONS

Item Code	Power (W)	Luminaire Lumen (lm)	Color Temperature (K)	Efficiency (lm/W)	Dimensions (LxWxH)	Qty/Carton	Carton Size (LxWxH)	G.W/Carton
LR510.020	20W	1.800	2700/3000/4000/6500	90lm/W	227x100x145mm	10	210x580x405mm	8.70 kg
LR510.030	30W	2.850	2700/3000/4000/6500	95lm/W	227x100x145mm	10	210x580x405mm	8.70 kg

*3N Company has the right to make any changes it deems necessary without prior notice.
*Technical data has a tolerance of ± 10%.