



# TRACK LIGHTING

## AREAS OF APPLICATION

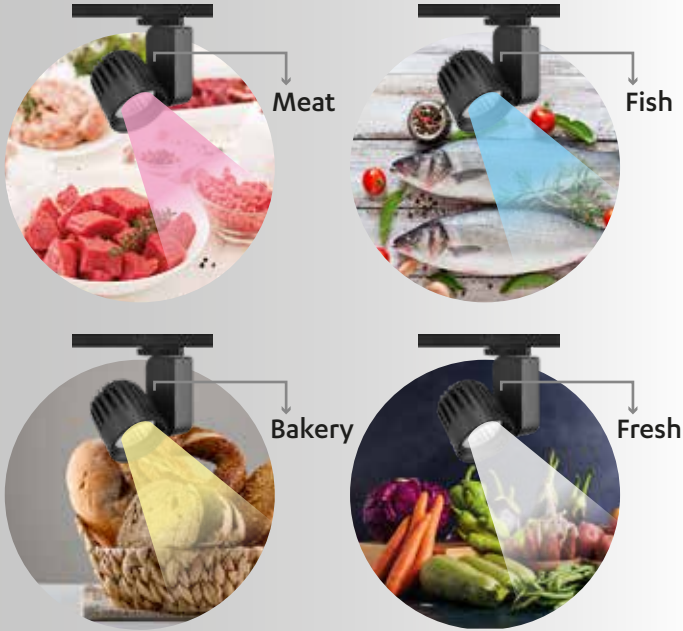
Residences • Shops • Markets • Cafes • Restaurants • Offices  
Designed to meet the demands of long-term use and high-lumen applications.



# DORA-118F

## FOOD SECTION

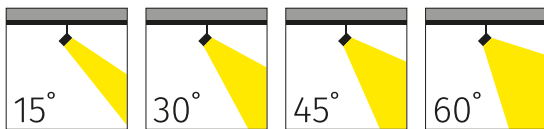
TRACK LIGHTING



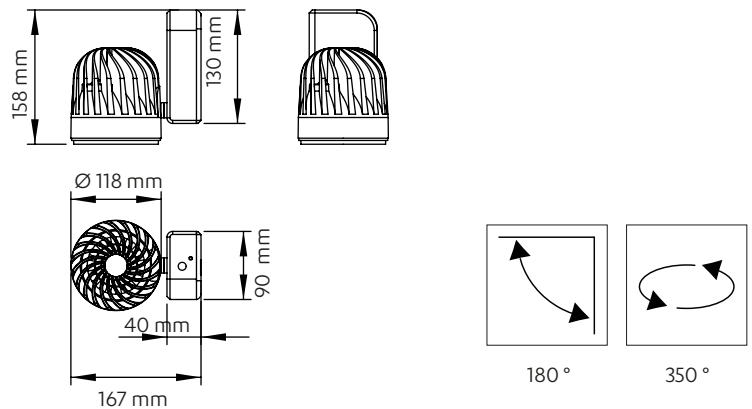
### PRODUCT SPECIFICATIONS

<b>Body</b>	: Alu Body /RAL9005
<b>Optic Cover</b>	: Alu Reflector
<b>Led Driver</b>	: Osram-Tridonic-Philips
<b>Led Chip</b>	: Samsung, Osram, COB
<b>Input Voltage</b>	: 220-240V/AC 50-60Hz
<b>Operating Temperature</b>	: -10°C~+40°C
<b>CRI</b>	: CRI > 80, 90
<b>IP Class</b>	: IP20
<b>Options</b>	: Body Color Options : RAL9016 Application Options : Track Rail Socket or Ceiling Rose Color Temperature : 2700K/3000K/4000K/6500K DALI

### PHOTOMETRIC DISTRIBUTION



### TECHNICAL DRAWING



### PRODUCT SPECIFICATIONS

Item Code	Power (W)	Luminaire Lumen (lm)	Color Temperature (K)	Efficiency (lm/W)	Dimensions (LxWxH)	Qty/Carton	Carton Size (LxWxH)	G.W/Carton
LRS10.030	30W	-	Meat/Fish/Bakery/Fresh	-	158x118x167mm	12	290x500x580mm	15.48 kg
LRS10.035	35W	-	Meat/Fish/Bakery/Fresh	-	158x118x167mm	12	290x500x580mm	15.48 kg

\*3N Company has the right to make any changes it deems necessary without prior notice.  
\*Technical data has a tolerance of ± 10%.