



KANOSS

AREAS OF APPLICATION

Gas Stations



KANOSS

CANOPY HIGHBAY

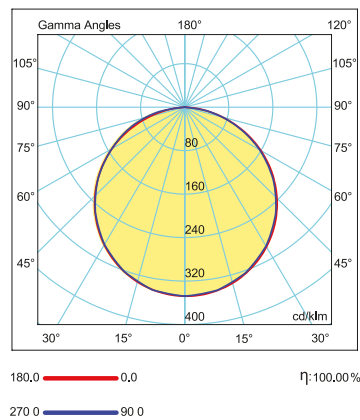


PRODUCT SPECIFICATIONS

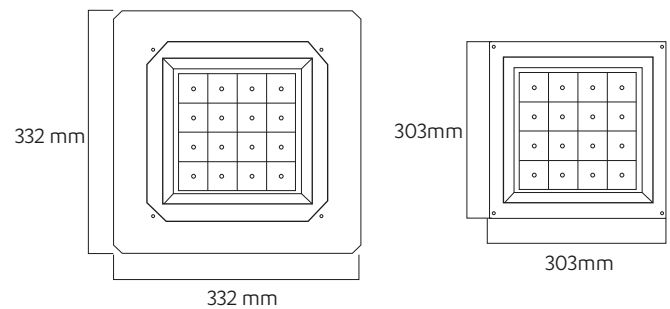
- Body** : Alu Body/RAL9003
- Optic Cover** : Tempered Glass
- Led Driver** : Osram-Tridonic-Philips-3N
- Led Chip** : Samsung, Osram
- Input Voltage** : 220-240V/AC 50-60Hz
- Temperature Range** : -20°C~+40°C
- CRI** : CRI > 80
- IP Class** : IP65
- IK Code** : IK08
- Options** : Application Options : Canopy Ceiling
Color Temperature : 3000K/4000K/6500K
Emergency Kit - DALI



PHOTOMETRIC DISTRIBUTION



TECHNICAL DRAWING



PRODUCT SPECIFICATIONS

Item Code	Power (W)	Luminaire Lumen (lm)	Color Temperature (K)	Efficiency (lm/W)	Dimensions (LxWxH)	Qty/Carton	Carton Size (LxWxH)	G.W/Carton
LKP10.060	60W	7.200	3000/4000/6500	120lm/W	332x332x50mm	1	350x350x70mm	6 kg
LKP10.080	80W	9.600	3000/4000/6500	120lm/W	332x332x50mm	1	350x350x70mm	6 kg
LKP10.100	100W	12.000	3000/4000/6500	120lm/W	332x332x50mm	1	350x350x70mm	6 kg
LKP10.120	120W	14.400	3000/4000/6500	120lm/W	332x332x50mm	1	350x350x70mm	6 kg

*3N Company has the right to make any changes it deems necessary without prior notice.
*Technical data has a tolerance of ± 10%.