



LENO

APPLICATION AREAS

Building Exterior • Landscapes • Parks • Gardens



LENO -N1

LINEAR NEON LIGHTING

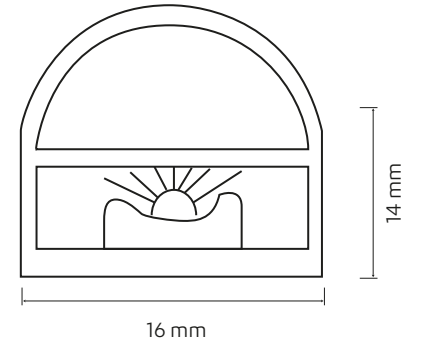


PRODUCT SPECIFICATIONS

Gövde	: Esnek Silikon Gövde
Optik Kapak	: Opal (180°)
Led Çip	: Samsung
Besleme Voltajı	: DC 24V / DC 12V
Çalışma Sıcaklığı	: -10°C~+40°C
CRI	: CRI > 80
Koruma Sınıfı	: IP68
Opsiyonlar	: Renk Sıcaklığı : 3000K/4000K/6500K/RGB/Amber DALI/DMX/0-10V



TECHNICAL DRAWING



PRODUCT SPECIFICATIONS

Item Code	Power (W)	Luminaire Lumen (lm)	Color Temperature (K)	Efficiency (lm/W)	Dimensions (LxWxH)	Qty/Carton	Carton Size (LxWxH)	G.W/Carton
LPC40.013 - 24V	13W	1.430	3000/4000/6500/RGB/Amber	110lm/W	1000x16x14mm	-	800x400x400mm	20 kg
LPC40.007 - 12V	7W	770	3000/4000/6500/RGB/Amber	110lm/W	1000x16x14mm	-	800x400x400mm	20 kg

*3N Company has the right to make any changes it deems necessary without prior notice.
*Technical data has a tolerance of ± 10%.