



LINDEX

AREAS OF APPLICATION

Garden • Facade • Roadway • Street • Highway

Designed for use in environments that demand both strong light and extended lifespan.



LINDEX-L

ROADWAY & STREET LIGHTING

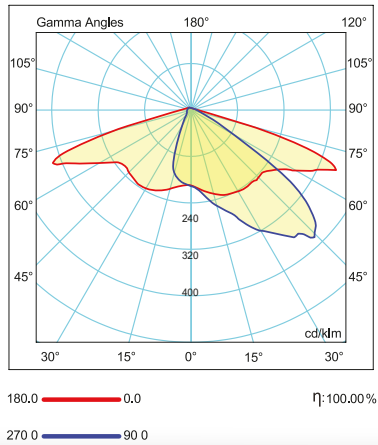


PRODUCT SPECIFICATIONS

- Body** : Alu Body/RAL7016
- Optic Cover** : PMMA Asymmetric Lens M2 M3 Road Class
- Led Driver** : Osram-Tridonic-Philips
- Led Chip** : Samsung, Osram
- Input Voltage** : 220-240V/AC 50-60Hz
- Temperature Range** : -10°C~+40°C
- CRI** : CRI > 80
- IP Class** : IP66
- Options** : Color Temperature : 2700K/3000K/4000K/6500K
DALI

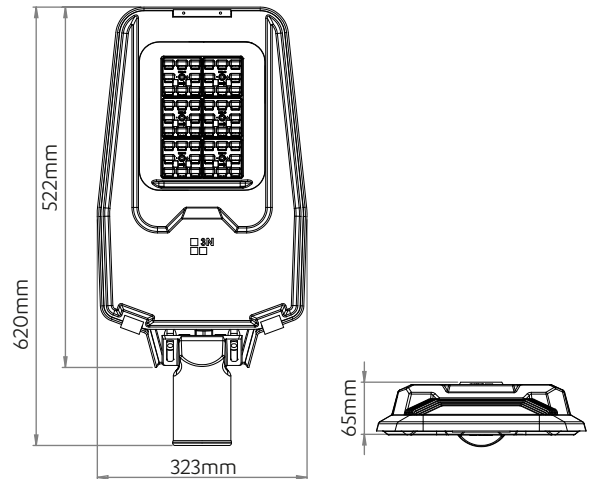


PHOTOMETRIC DISTRIBUTION



The lens used in luminaires are produced in accordance with European standards M2/M3 Road lighting class.

TECHNICAL DRAWING



PRODUCT SPECIFICATIONS

Item Code	Power (W)	Luminaire Lumen (lm)	Color Temperature (K)	Efficiency (lm/W)	Dimensions (LxWxH)	Qty/Carton	Carton Size (LxWxH)	G.W/Carton
LYC10.150	150W	18.750	1800/3000/4000/6500	125lm/W	620x323x65mm	1	670x360x100mm	7 kg
LYC10.200	200W	25.000	1800/3000/4000/6500	125lm/W	620x323x65mm	1	670x360x100mm	7 kg
LYC10.250	250W	31.250	1800/3000/4000/6500	125lm/W	620x323x65mm	1	670x360x100mm	7 kg

*3N Company has the right to make any changes it deems necessary without prior notice.
*Technical data has a tolerance of ±10%.